

shown in Gloss White
with Barn Wood blades

COASTAL WET LOCATION 
100% 316 MARINE GRADE STAINLESS STEEL



Donaire

Designed in 2015

With teardrop motor housing, the 52" Donaire 316 marine grade stainless steel coastal wet location ceiling fan is transitional in design. Donaire is finished in brushed bronze, brushed stainless, or gloss white, equipped with all weather blades and 16W LED dimmable light kit with optional metal cover. Constructed of entirely 316 marine grade stainless steel, the Donaire carries a limited lifetime warranty.

Product Features



AC Motor



Coastal Environment



Wet Location



Silent



Dimmable Lamp



LED Lamp



Remote Control



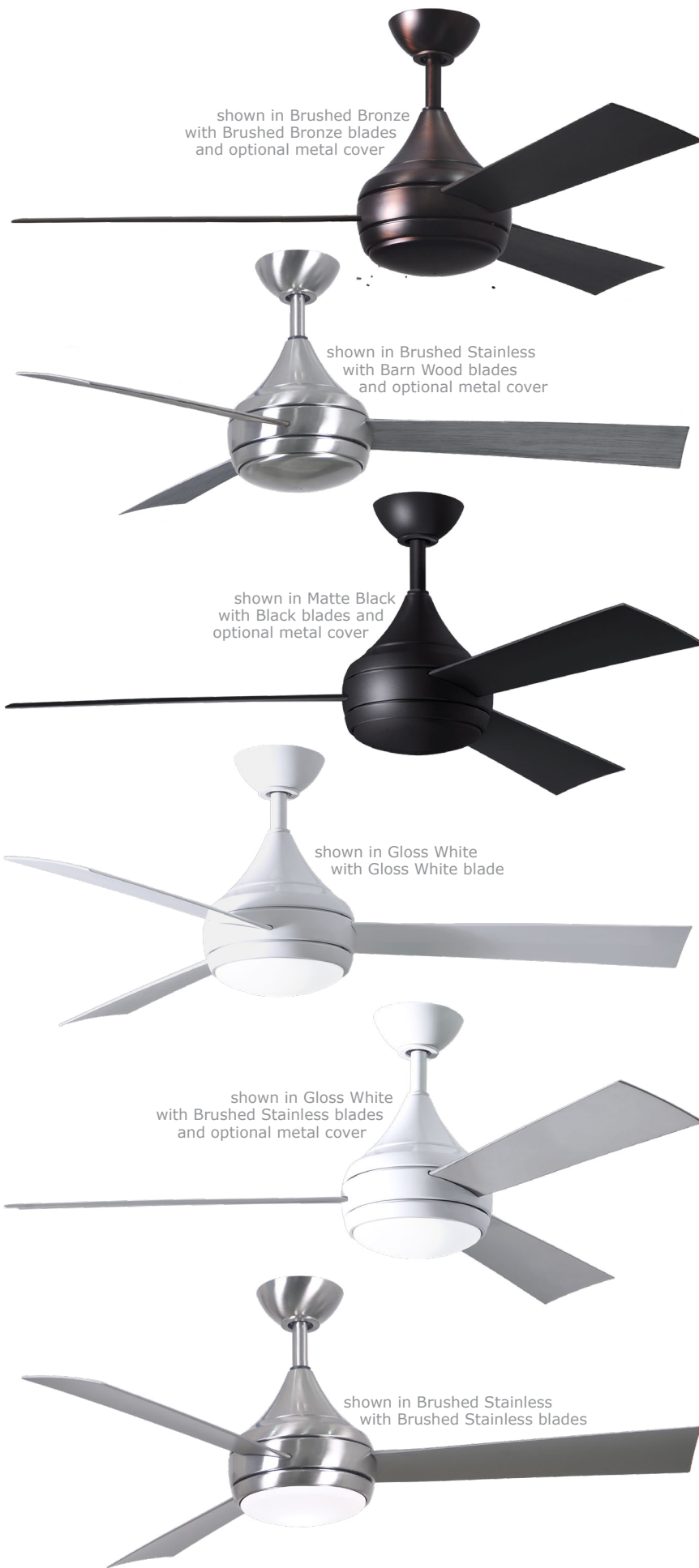
29° Slant Ceiling Canopy



60° Cathedral Ceiling Canopy



Unipack Shipping



DONAIRE

FINISH AND BLADE OPTIONS

SKU#	DA-XX-XX (Model+Finish+Blade)	
Standard Finishes	Matte Black	BK
	Brushed Bronze	BB
	Brushed Stainless	BS
Blade Finish	Gloss White	WH
	Black	BK
	Barn Wood Tone	BW
	Brushed Bronze	BB
	Brushed Stainless	BS
	Gloss White	WH

TECHNICAL SPECS

Fan Diameter	52 inches / 132 cm
Blade Material	ABS
Overall Drop	8.5 inches / 22 cm + downrod length
Fan Weight	29 lbs
Voltage	110 or 220
Motor Type	AC
Downrods Lengths <i>Field cuttable, Non-Threaded</i>	inches: 5, 10, 20, 30, 48, 72 centimeters: 13, 25, 51, 76, 122, 183
Downrod Diameter	1 inch
Environment	Coastal and wet locations. All weather blade system.
Ambience	Silent
Safety Certification	UL / CUL
Warranty	Limited Lifetime

NEW JAN 21, 2020 DOE MOTOR EFFICIENCY DATA

RPM (Low / High)	55 / 172
CFM (Low / High)	1775 / 6013
Watts (High)	58.62
CFM/Watt (High)	111
Blade Pitch	14°

LIGHT KIT PHOTOMETRICS

Lamping (Replaceable)	Integrated LED
Remote Dimmable	Yes
Delivered Temperature in K	3017
Delivered Lumens	725
CRI	90
Watts	16
Hours	60,000

Light kit longevity if used 6 Hours/Day: 27.4 Years

STANDARD EQUIPMENT

One downrod of 10 inches / 25 cm

Vaulted ceiling canopy for up to 29°

Light cover

ACCESSORIES

Black 3-speed RF remote control with reverse

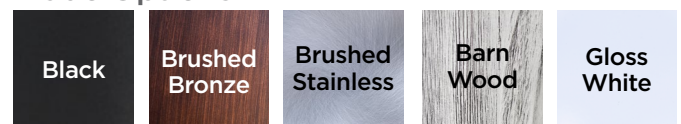


Decora-style, 3-speed, non-dimmable wall control



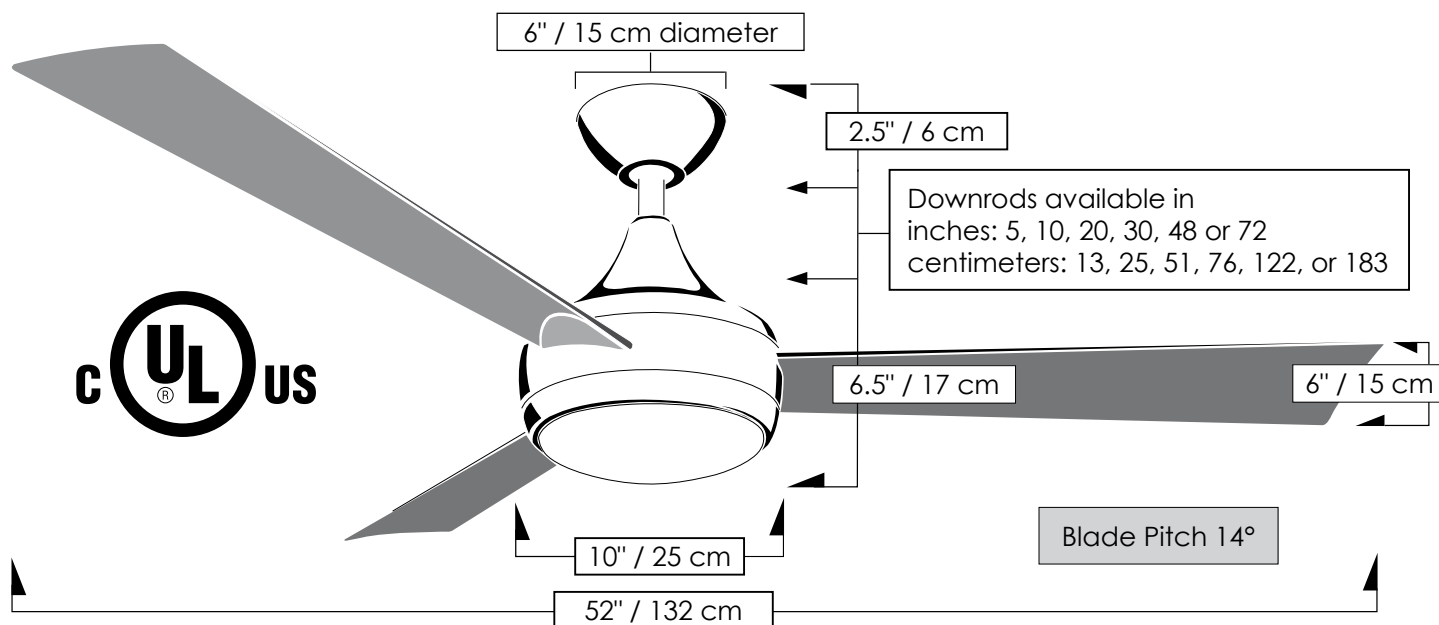
60° cathedral ceiling canopy

Blade Options



Donaire

TECHNICAL SPECIFICATIONS



CEILING PITCH TABLE

0/12	0 degrees
1/12	4.76 degrees
2/12	9.46 degrees
3/12	14.04 degrees
4/12	18.43 degrees
5/12	22.62 degrees
6/12	26.57 degrees
7/12	30.26 degrees
8/12	33.69 degrees
9/12	36.87 degrees
10/12	39.81 degrees
11/12	42.51 degrees

CEILING HEIGHT / DOWNROD TABLE

Ceiling Height	Downrod Lengths <i>Field cuttable. Non-threaded</i>
10 ft or less	5 inches / 13 cm <i>Use safety cages if applicable</i>
10 -12 feet	10 inches / 25 cm
13 feet	20 inches / 51 cm
14 feet	30 inches / 76 cm
15 feet	48 inches / 122 cm
16 feet +	72 inches / 183 cm

Matthews Fan Company

1881 Industrial Drive
Libertyville, IL 60048
Tele: 847.680.9043
Fax: 847.680.8140
www.matthewsfanco.com

© 2023 Matthews Fan Company. All rights reserved.

